

▶ AHS POE ACU

CHARACTERISTICS

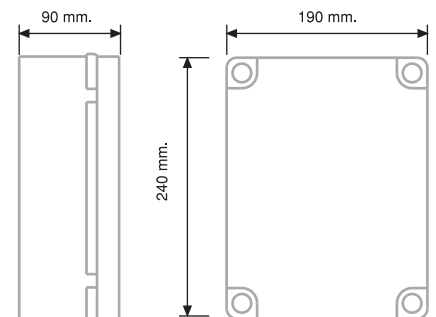


DORLET's AHS ACU is a high range system for access and Time & Attendance control. It allows management of one door in a single direction, with control over all the required signals (door magnetic, exit push button and lock). Direct connection to Ethernet (10 Mbps) for on-line mode with POE (Power Over Ethernet) supply. The most common applications of the AHS ACU are as follows:

- Complete control of 1 access and/or Time & Attendance reader.
- High-capacity per reader: 1.000 employee cards, 95 visitor cards, 700 access messages and 100 alarm messages...
- 1 output (configurable with/without voltage) for electric lock.
- 1 input for magnetic contact, 1 pushbutton input for opening the door, 1 tamper input and 4 digital alarm inputs for general purposes.
- Centralised LAN operation with POE (Power Over Ethernet) supply.

- Access control.
- Time & Attendance (employee clock-in).
- Visits control.

The entire configuration of the ACU (parameters, cards, permits, schedules, events, etc.) is stored in the ACU's memory, achieving a highly flexible operating system.



The information contained in this document is subject to change without prior warning. Nothing in this document may be interpreted as an additional warranty. DORLET S.A. does not accept responsibility for any errors or technical or editorial omissions contained in this document.

▶ TECHNICAL SPECIFICATIONS

▶ PHYSICAL

Box dimensions:	240 x 190 x 90 mm.
CPU's weight:	1 Kg. (without battery)
Protection:	IP56

• The ACU box has a space for housing the 12 VDC and 2 AH battery.

▶ POWER SUPPLY

Input:	POE supply (class 3 or 4)
Consumption:	Class 3: 12 VDC max. 400 mA; Class 4: 12 VDC 1400 mA
Output:	5 VDC/1 A; 12 VDC/1A (readers and locks) and 13.8 VDC for battery.
Detection:	Failure or low battery tension, low board output, failure in the Power Supply.

• The ACU provides power to the reader, lock & associated sensors (see consumptions of each element).

▶ COMMUNICATIONS

RS-232:	Conf. up to 115,200 bauds (connection via GSM modem, RTC, GPRS, etc.)
TCP-IP:	TCP-IP: 10 Mbps, RJ-45 connector, Telnet server for communications setup

▶ ELECTRONICS

Micro-controller:	Microchip PIC 24FJ256GA106
Specifications:	32 Mhz, core 16 bits
Memory:	RAM 32 Kbytes
Program memory:	Flash 256 Kbytes
Data retention:	Battery for preserving RAM (2 months)
Remote update:	Yes
Clock:	In real time

• Software in high level language over multitasking operating system.

• RAM memory with battery for power failures and data retention.

▶ INPUTS AND OUTPUTS

Reader inputs:	1 (door with reader for entrance)
Digital inputs:	7 (1 pushbutton, 1 magnetic contact, 1 tamper, 4 alarm inputs)
Lock outputs:	1 (configurable NO/NC and with/without voltage)
Digital outputs:	2 (1 for forced or left open door detection)
Supply outputs:	5 VDC and 12 VDC

• The inputs and outputs may vary its use according to ACU's setup.

▶ CAPACITIES (in LAN mode)

- Employee cards: 1.000
- Visitor cards: 90
- Access messages: 700
- Alarm messages: 100
- Schedules with 3 working days.
- Automatic opening schedules.
- PINs elimination timetables.

(Standard capacities, consult additional configurations)

- Intimidation (through software)
- Forced door detection
- Door left open detection
- Bistable cards
- Special cards
- ...

The information contained in this document is subject to change without prior warning. Nothing in this document may be interpreted as an additional warranty. DORLET S.A. does not accept responsibility for any errors or technical or editorial omissions contained in this document.